

VT100 body camera



The VT100 delivers a customizable and fully connected enterprise mobile video solution.

GENERAL INFORMATION

Typical Usage	Enterprise managed incident recorder for personal and site security
Management Software	Requires VideoManager Licence or Cloud Service
Warranty	1 year return-to-manufacturer warranty. For support relating to VideoManager, Software Assurance is required.

SIZE AND WEIGHT

Dimensions	80 x 51 x 22 mm
Weight	72 g

BATTERY

Battery	Integral, not user serviceable
Battery Type	Lithium-ion
Battery Recharging Times	Typically recharges in less than 5 hours
Battery in Recording Mode	Up to 3 hours of recording, or up to 1.5 hours of live streaming & recording
Battery Capacity in Standby	6 months
Battery Overcharge Protection	VT100 has overcharge protection so cannot be overcharged and can be left in docking station

AUDIO

Audio Capture	Yes, with option to disable audio capture alongside footage
---------------	---

CAMERA

Buttons	Two buttons on back, either of which can be used to start and stop recording
Lens Capture Angle	130 degree field of view

CAMERA FEATURES

Memory Capacity	16 GB
Recording Status User Notification	Haptic and visual feedback
Storage Media Access	Sealed unit with no user access to storage media
Front Display Message	Display ID card with message/logo

VIDEO AND RECORDING

Video Recording Format	H.264
Resolution	1280 x 720 HD
Frame Rate	30 frames per second
Recording Storage Capacity	16 GB

APPROVALS AND ENVIRONMENTAL

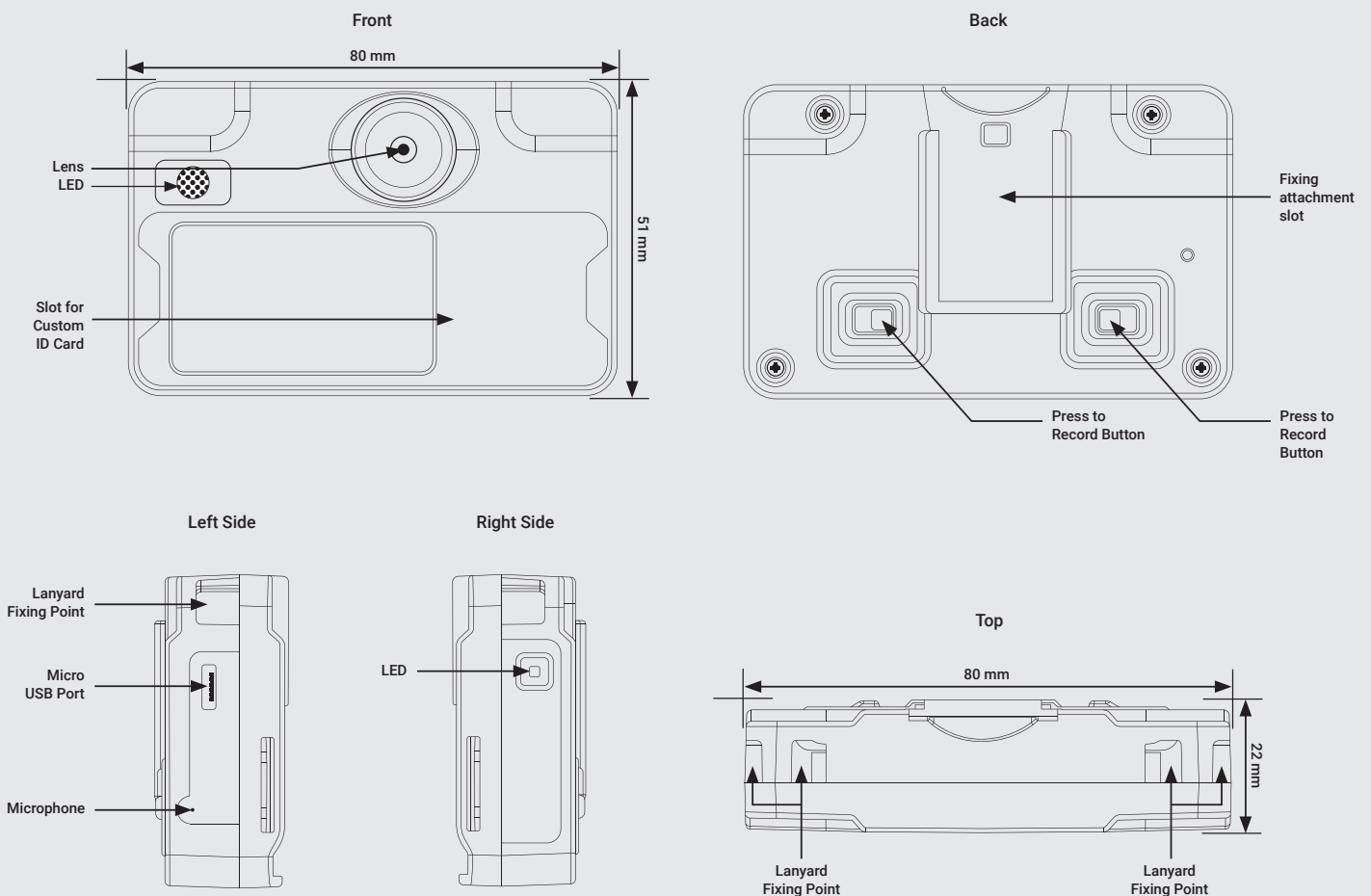
Ingress Protection	IP54
Environmental Temperature Operational Rating	Operating: -20 to +40 °C Charging: 0 to +25 °C

WI-FI® FEATURES

Wi-Fi Specifications	802.11 b/g/n (2.4GHz Wi-Fi)
Wi-Fi Security	WPA2-PSK
Wi-Fi Streaming	640x360 15fps Compatible with ONStream

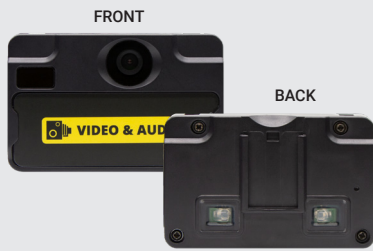
SECURITY

Network Data Security on USB Storage Media	VT100 does not appear as a USB storage device, and cannot receive files while connected to a Wi-Fi network.
Audit Trail	Usage, operations and recording details all audit-logged and indexed
Recordings View, Copy and Deletion Ability	The VT100 wearer cannot access, view or delete any recordings directly from the device, or camera without appropriate authorization.
Storage Media Access	Sealed unit with no user access to storage media
Encryption	AES-256 for data at rest; TLS1.2 for data transmission



VT-100-N & accessories

VT100 (VT-100-N)



Features include:

Wi-Fi streaming, small and discreet, 16GB storage, 6 months standby (Instant Recording Mode), up to 3 hours of recording, or up to 1.5 hours of live streaming & recording, 1 year return-to-manufacturer warranty.

Please note: Requires VideoManager Enterprise Licence or VideoManager Cloud Service. Please speak to your account manager for further details.

Part number: VT-100-N



VT-100-SOLO



VT-100-DOCK7/UK etc.



VT-100-DOCK14/UK etc.



DC-200/UK etc.



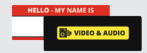
RF-220



RF-STICKER-10
RF-CARD-10



VT-100-ID-CUS-ART



VT-100-ID-CUS-250 etc.

CHARGERS, DOCKCONTROLLERS, RFIDS & CUSTOM DISPLAY FRONT-PANEL ID CARD

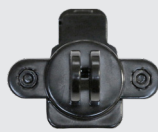
VT-100-SOLO VT-100-SOLO-050	VT100 1-Port Dock (2.0m USB Cable Included) VT100 1-Port Dock (0.5m USB Cable Included)	RF-220	RFID RF-220
VT-100-DOCK7/UK, VT-100-DOCK7/EU	VT100 7-Port Dock	RF-STICKER-10	RFID Sticker-Style Tag (x10)
VT-100-DOCK14/UK, VT-100-DOCK14/EU, VT-100-DOCK14/AUS, VT-100-DOCK14/US, VT-100-DOCK14/ROW	VT100 14-Port Dock	RF-CARD-10	RFID Card (x10)
DC-200/UK, DC-200/EU, DC-200/AUS, DC-200/US, DC-200/ROW	DockController DC-200	VT-100-ID-CUS-ART	Custom VT100 Front-panel ID Card (Design)
		VT-100-ID-CUS-250, VT-100-ID-CUS-1000, VT-400-ID-CUS-5000	Custom VT100 Front-panel ID Card (Print). Can be ordered in the following amounts: 250, 1000, 5000



VT-100-FIX-ALIG



VT-100-FIX-EP



VT-100-FIX-SPORT



VT-100-FIX-KF-ALT



AC-USB-MICROB-100



AC-USB-DOCK-200
AC-USB-DOCK-050



AC-LANYARD-05

ATTACHMENTS, LANYARDS & REPLACEMENT CABLES

VT-100-FIX-ALIG	VT100 Rotatable Long Alligator Clip	AC-USB-MICROB-100	Replacement Micro USB Cable
VT-100-FIX-EP	VT100 Epaulette (Shoulder) Clip	AC-USB-DOCK-200, AC-USB-DOCK-050	Replacement USB Type A to USB Type B Cable (0.5m, 2.0m)
VT-100-FIX-SPORT	VT100 Sports Camera Pillar	AC-LANYARD-05	Lanyard with 5 Breakpoints and 2 Loops
VT-100-FIX-KF-ALT	VT100 Klick Fast Stud		





KLICK FAST FIXINGS*

KF-SCREW	Klick Fast Uniform Screw-on Dock	KF-DOCKBUTTONM	Klick Fast Button Dock (Male)
KF-LOOP	Klick Fast Radio Loop Dock	KF-DOCKBUTTONF	Klick Fast Button Dock (Female)
KF-DOCKCLAMP	Klick Fast Dock Clamp (Pocket Klick Fast Dock)	KF-DOCK05BVELCRO	Klick Fast Belt Loop
KF-DOCKEP	Klick Fast Dock Epaulette	KF-DOCKRUCKSACK	Klick Fast Rucksack Dock
KF-MAGMOUNT2	Klick Fast Magnetic Mounting Set (w/ Magnets)	KF-DOCKCROCClip	Klick Fast Crocodile Clip
KF-MAGMOUNT	Klick Fast Magnetic Mounting Set (w/o Magnets)	KF-DOCKCROCCLAT	Klick Fast Crocodile Clip (w/ Anti-Tilt Attachment)
KF-MOLLEVEST	Klick Fast Dock for MOLLE Vests		



KLICK FAST HARNESES**

KF-HARN3	Klick Fast 3-Point Chest Harness
KF-HARN4	Klick Fast 4-Point Chest Harness
KF-HARN5	Klick Fast Shoulder Harness

To learn more, visit:
www.motorolasolutions.com/VT100



* Klick Fast Fixings are compatible with the VT-100-N when used in conjunction with the VT-100-FIX-KF-ALT attachment.
 ** Klick Fast Harnesses are compatible with the VT-100-N when used in conjunction with the VT-100-FIX-KF-ALT attachment.
 Motorola Solutions Ltd., Nova South, 160 Victoria Street, London, SW1E 5LB, United Kingdom
 MOTOROLA, MOTO, MOTOROLA SOLUTIONS and the Stylized M Logo are trademarks or registered trademarks of Motorola Trademark Holdings, LLC and are used under license. All other trademarks are the property of their respective owners. ©2024 Motorola Solutions, Inc. All rights reserved. 05-2024 [ES02]