

## DK 133 8 OHM

**Art. No. 50238**

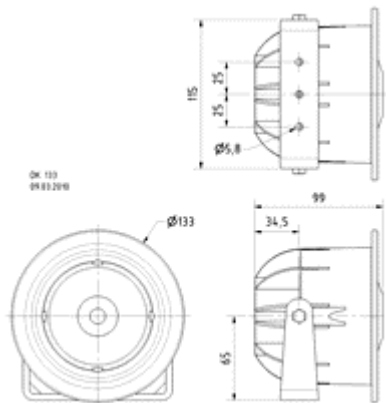
**Horn Speaker** with waterproofed design and 8 ohm impedance. High IP protection class, high sound pressure level, good voice reproduction, compact dimensions.

### Typical applications:

- Public address in factories, railway stations etc.
- Outdoor PA for vehicles
- Use in alarm/alert systems

### Attributes:

- UV-resistant
- Very high efficiency



### Technical Data:

Rated power	10 W
Maximum power	15 W
Nominal impedance Z	8 Ohm
Sound pressure level	106 dB (1 W/1 m) @ 2800 Hz
Frequency response	570–4400 Hz
Mean sound pressure level	100 dB (1 W/1 m)
Opening angle (-6 dB)	63°/4000 Hz
Voice coil diameter	38 mm

[sketch](#)

Net weight

0,625 kg

Connections

Aderendhülsen/  
ferrules

Length of cable

0,5 m

Protective system

IP 67

Temperature range

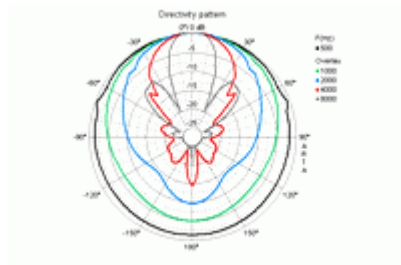
-25 ... 70 °C

Colour

RAL 9010



[frequency- and impedance response](#)



[directivity pattern](#)