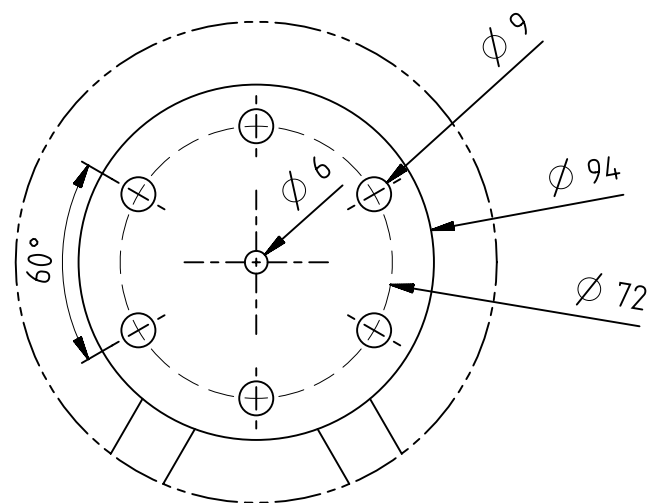


Krawczniki  $\varnothing 35 \times 2.0$   
 Poprzeczki  $\varnothing 20 \times 2.0$   
 Skosy  $\varnothing 20 \times 2.0$   
 Kolnierze  $\varnothing 94 \times 6 \times 6 \text{ otw}$



DETAIL A  
 SCALE 1:2

<small>           TOLERANCES UNLESS OTHERWISE SPECIFIED: ISO 2768-1/2001 "M" SERIES            ABOVE 0.5 TO 1.6 0.15 TO 0.30 0.10 TO 0.20 0.05 TO 0.10 0.02 TO 0.05            TO 0.5 0.10 TO 0.20 0.05 TO 0.10 0.02 TO 0.05            FINISH 0.10 TO 0.20 0.05 TO 0.10 0.02 TO 0.05         </small>				<small>           THIS DRAWING CONTAINS CONFIDENTIAL INFORMATION WHICH IS THE PROPERTY OF P.P.H.U. ELMAX S.C. COMPANY. THIS DRAWING MAY NOT BE REPRODUCED, TRANSFERRED OR USED, OR ITS CONTENTS DISCLOSED WITHOUT THE PRIOR WRITTEN PERMISSION OF P.P.H.U. ELMAX S.C. COMPANY         </small>			
MATERIAL:		AW6063T6	QUANTITY:	DRAWN BY:			
MACHINE:			20	DATE: 04-06-2015			
DRAWING PREPARED FOR:				CHECKED BY:			
TITLE:		segment M250-1.5 prosty Delta		3D FILE:			
FIRST ANGLE PROJECTION:				SCALE: 15 : 100 SHEET: 1 of 1			
				JOB NUMBER:			
				DRAWING NO°: 2015.06.04.01A			
				REV: A			