

## Unity Gain, Broad-banded, Omnidirectional Base Station Antenna for the 80 MHz Band

### DESCRIPTION

- CXL 4-1LW/... is a 0 dBd gain, omnidirectional rod-type base station antenna for the 80 MHz band.
- The 80 MHz-band is covered in 3 frequency segments: 66 - 75 MHz, 72 - 82 MHz and 77 - 88 MHz.
- The construction of the mount makes it possible to lead the cable either inside or along the outside of the mast tube.
- The antenna is provided with our sturdy type "LW" mast mount, which is a lightweight, multi-purpose, epoxy-coated mounting bracket made of non-corrosive aluminium. The accompanying U-bolts and fittings are made of stainless steel.
- The antenna can be mounted on vertical or horizontal mast tubes, 16 to 54 mm in outer diameter. Further, the construction of the mount makes it possible to lead the cable either along the inside or on the outside of the mast tube.
- The carefully designed, broad-banded antenna element is sealed in a high-quality, conical glass fibre tube with low wind-load, which will ensure performance undisturbed by corrosive environments.
- To substantially reduce noise caused by atmospherical discharges, all metal parts in the antenna are DC-grounded. Consequently, the antenna shows a DC-short across the coaxial cable.
- The CXL 4-1LW/... is a vibration-proof, lightweight, slim-line, corrosion resistant, modern style base station antenna.



### SPECIFICATIONS

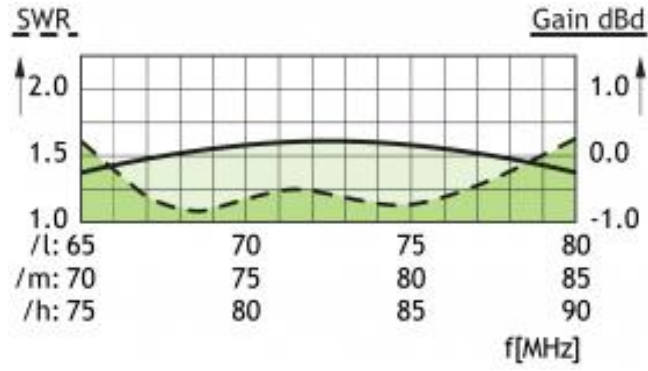
Electrical	
Model	CXL 4-1LW/...
Frequency	Models within 66 - 88 MHz (see model survey)
Antenna Type	Coaxial dipole, broad-banded
Max. Input Power	150 W
Polarisation	Vertical
Pattern Type	Omnidirectional
3 dB Beamwidth, E-Plane	80 °
3 dB Beamwidth, H-Plane	Omnidirectional
Impedance	50 Ω
Gain	0 dBd (2.2 dBi)
VSWR	< 1.8:1
Bandwidth	9 - 11 MHz
Antistatic Protection	All metal parts DC-grounded (Connector shows a DC-short)
HCM Code(s)	HCM000ND00, 030DE00

Mechanical	
Connection(s)	N(f)
Materials	Radome : Polyurethane-coated glass fibre Mounting bracket : Seawater resistant aluminium, epoxy-coated
Colour	White (RAL 9003)
Wind Area	0.056 sq. m / 0.60 sq. ft
Wind Load	71 N (160 km/h)
Height	Approx. 2300 mm / 90.55 in.
Weight	Approx. 1.5 kg / 3.31 lb.
Mounting	On 16 to 54 mm dia. mast tube

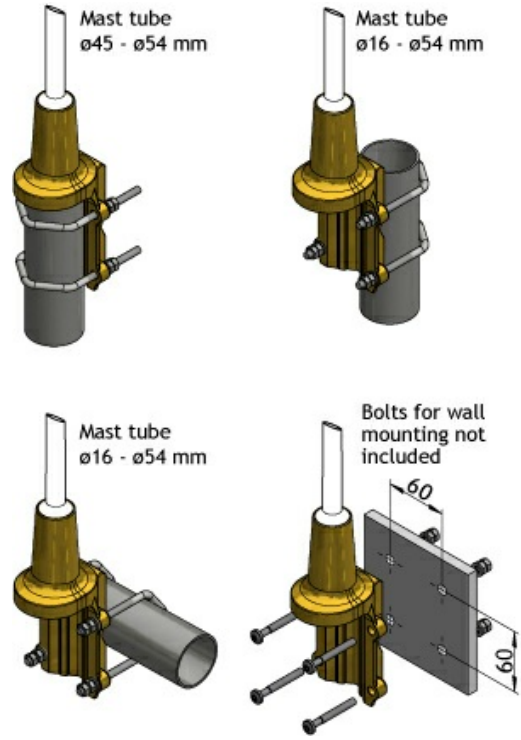
### ORDERING

Model	Product No.	Frequency
CXL 4-1LW/l	100000054	66 - 75 MHz
CXL 4-1LW/m	100000055	72 - 82 MHz
CXL 4-1LW/h	100000056	77 - 88 MHz

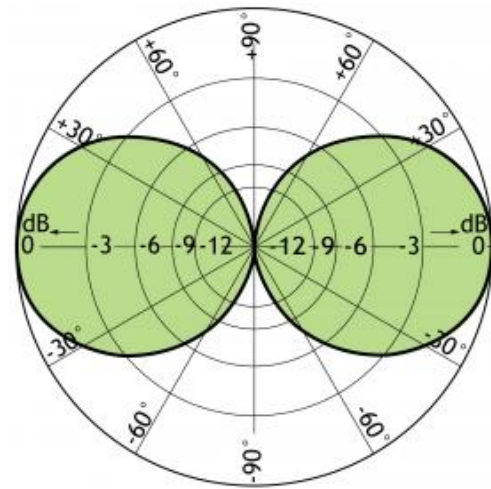
TYPICAL GAIN AND VSWR CURVE



MULTI-PURPOSE MOUNTING BRACKET



TYPICAL RADIATION PATTERN (E-PLANE)



TYPICAL RADIATION PATTERN (H-PLANE)

