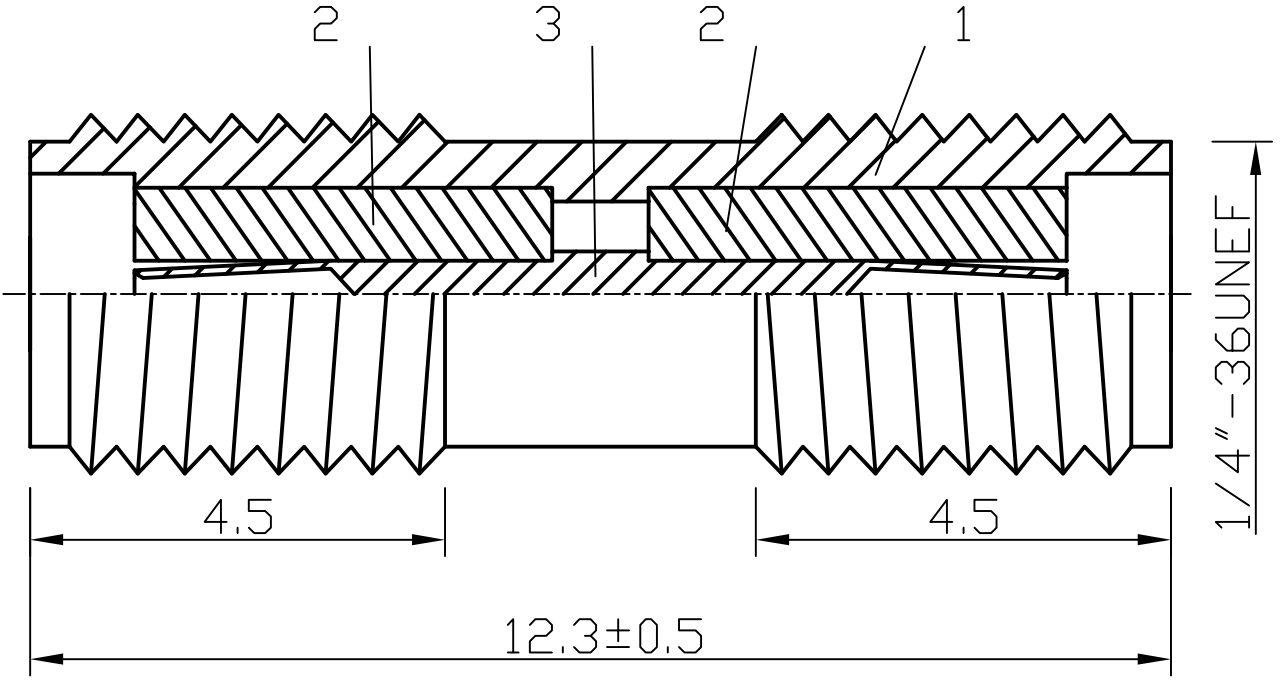


8 7 6 5 4 3 2 1

ROHS COMPLIANCE

|          |             |     |
|----------|-------------|-----|
| DATE     | DESCRIPTION | REV |
| 09.12.28 | NEW RELEASE | A   |



| 11 |             |      |          |        |             |
|----|-------------|------|----------|--------|-------------|
| 10 |             |      |          |        |             |
| 9  |             |      |          |        |             |
| 8  |             |      |          |        |             |
| 7  |             |      |          |        |             |
| 6  |             |      |          |        |             |
| 5  |             |      |          |        |             |
| 4  |             |      |          |        |             |
| 3  | PIN         | 1    | BRASS    | GOLD   |             |
| 2  | INSULATOR   | 1    | TEFLON   | WHITE  |             |
| 1  | BODY        | 1    | BRASS    | NICKEL |             |
| NO | Description | Q'ty | Material | Finish | Part Number |

UNLESS OTHERWISE SPECIFIED  
 1. REMOVE ALL BURRS.  
 2. BREAK ALL CONNERS & EDGES CO. 15 MAX.  
 3. CHAMFER 1ST & LAST THREADS 45°.  
 4. DIAMETERS ON COMMON CENTERS.  
 TO BE CONCENTRIC WITHIN 0.01 T.I.R.  
 5. ALL DIMENSIONS ARE AFTER PLATING.

MAJOR DIMENSIONS  
 UNLESS OTHERWISE NOTED TOLERANCES  
 0.5-6=±0.2  
 6-30=±0.4  
 30-120=±0.6  
 ANGLES=±5°

APPROVED BY  
 CHECKED BY  
 DRAWING BY  
**ART&M**  
 DATE 2009/12/28

DRAWING NO  
**417-200**  
 TITLE  
**DOUBLE SMA FEMALE**  
 REV. **A**

8 7 6 5 4 3 2 1

E  
D  
C  
B  
A

E  
D  
C  
B  
A

DO NOT SCALE DRAWING