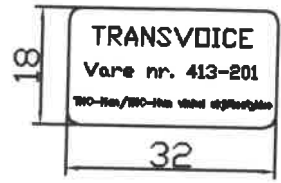


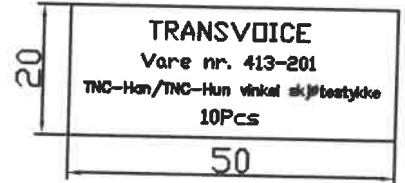
ROHS

ISO 9001
ISO 14001

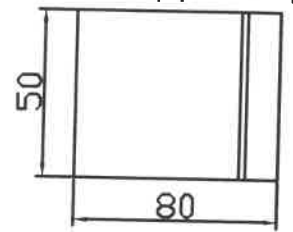
1pc sticker



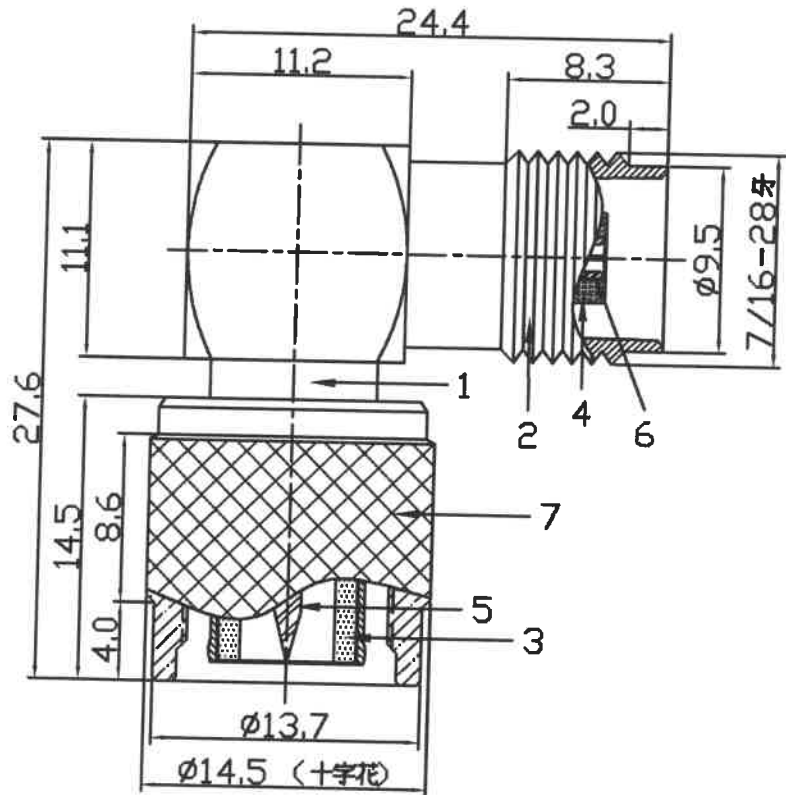
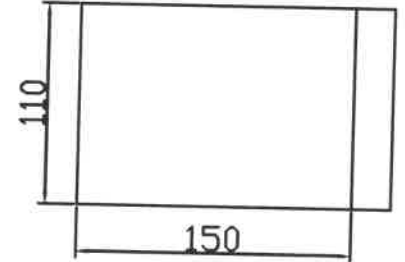
10pcs sticker



1pc zipper bag



10pcs PE bag



9	防水圈	橡膠 / 紅	1
8	檔片	銅 / 鍍鎳	1
7	外殼	銅 / 鍍鎳	1
6	針	銅 / 鍍金	1
5	針	銅 / 鍍金	1
4	絕緣體	PTFE / 白	1
3	絕緣體	PTFE / 白	1
2	主體	銅 / 鍍鎳	1
1	主體	銅 / 鍍鎳	1

NO	DESCRIPTION	MATERIAL / FINISH	Q'TY
Part NO	XP-CR1100-6197		

Material:		Treatment:		TRANSVOICE			
Drawer	Design	Aprov	Tolerance	Unit	Symbol	TITLE	TNC M TO TNC F RA
			X=±0.5 .X=±0.2 .XX=±0.1 .XXX=±0.05	mm		Model NO	
				Ver: A	Scale 3:1	Drawing NO	100-27001-109
				File NO: QR0402			