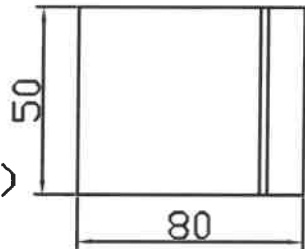


包裝方式：1Pcs1包,10Pcs一袋

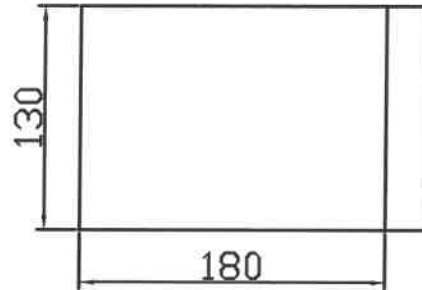
單包貼紙 (PK-001)



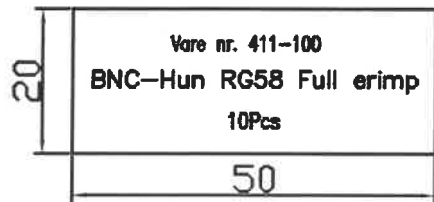
單包 1號夾鏈袋 (PK-276)



10Pcs PE袋 (PK-291)

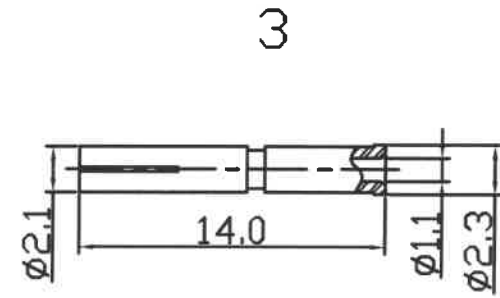
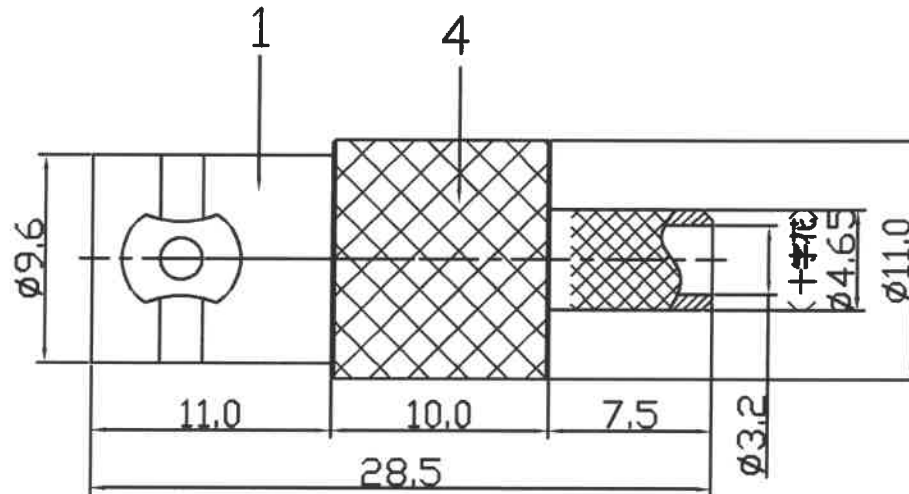


10Pcs貼紙 (PK-826)

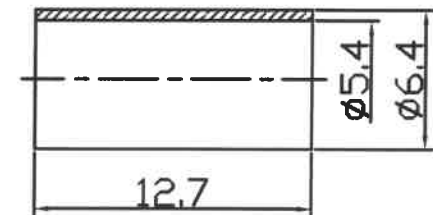


ROHS

ISO 9001
ISO 14001



5



5	FE-T6.4X12.7-181I	FERRULE/BRASS/GOLD	1
4	BT-N11.0X17.5-228B	BARREL / BRASS / NI	1
3	PI-G2.3X14.0-574B	PIN/PHOSPHOR BRONZE/GOLD	1
2	TM-W8.3X15.0-456	INSULATOR/PTFE/WHITE	1
1	TC-N10.95X14.0-421B	BODY/BRASS/NI	1
NO	DESCRIPTION	MATERIAL / FINISH	Q'TY

Material:		Treatment:		TRANSVOICE					
Drawer	Design	Aprov	Tolerance					Unit:	mm
			X=±0.5 X=±0.2 XX=±0.1 XXX=±0.05	Ver:	A	Model NO	411-100	Drawing NO	100-27001-0126
Part NO	XP-CR207-6152			File NO:	QR0402				