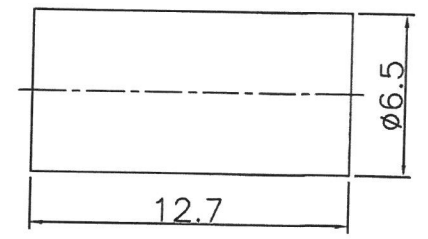
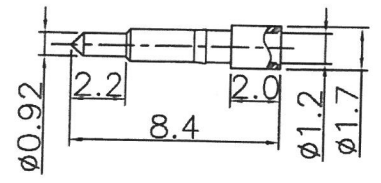
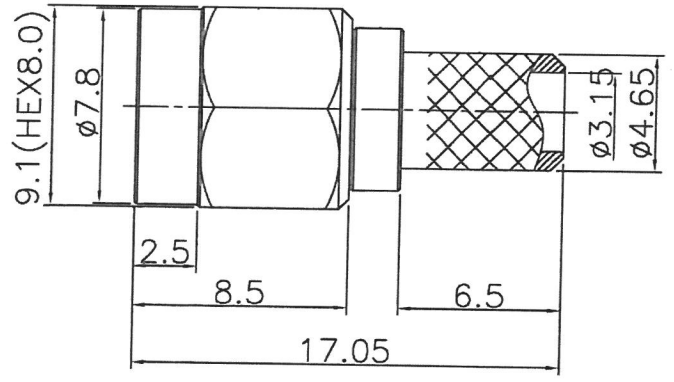


**ROHS**

ISO 9001  
ISO 14001



Material:		Treatment:					
Drawer	Design	Apov	Tolerance	Unit: mm		TITLE	SMA M CFD-200
		工程	X=±0.5	Ver: A	Scale 4:1	Model NO	
		8.13	X=±0.2	File NO: QR0402	Drawing NO	602-2-018-101	
		江宜陽	XX=±0.1				
			.XXX=±0.05				

Part NO CR-SMAMCFD200-738D