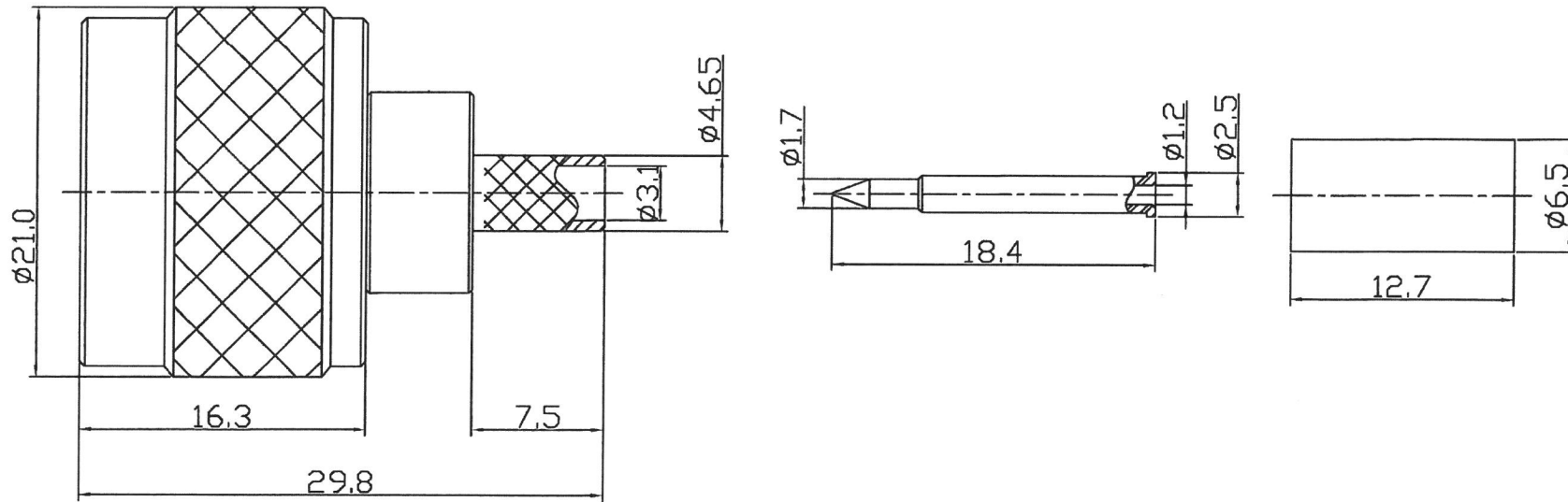


ROHS

ISO 9001
ISO 14001



Material:		Treatment:					
Drawer	Design	Aprov	Tolerance	Unit: mm		TITLE	N CRIMP PLUG (FOR CFD-200)
			X=±0.5 X=±0.2 XX=±0.1 XXX=±0.05	Ver: A	Scale 3:1	Model NO	
Part NO	CR-NMOCFD200-578A/B/D			File NO: QR0402	Drawing NO	606-013-102	