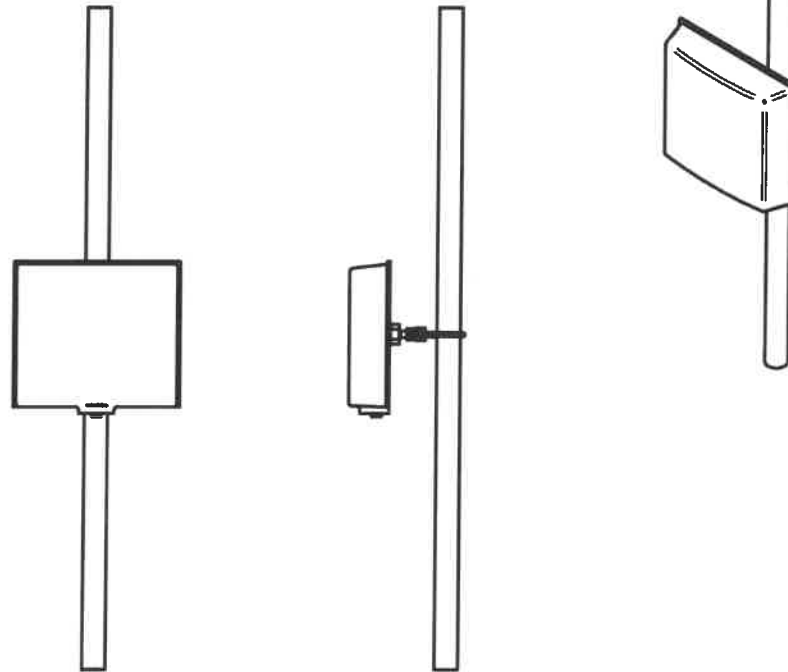


ROHS

ISO 9001
ISO 14001



NO		DESCRIPTION	MATERIAL	QTY	Material:		Treatment:					
					Drawer	Design	Aprov	Tolerance	Unit: mm		TITLE	
								X=±0.1	Ver: A	Scale 1:10	Model NO	
								.X=±0.05	File NO: QR0402		Drawing NO	
								.XX=±0.02				