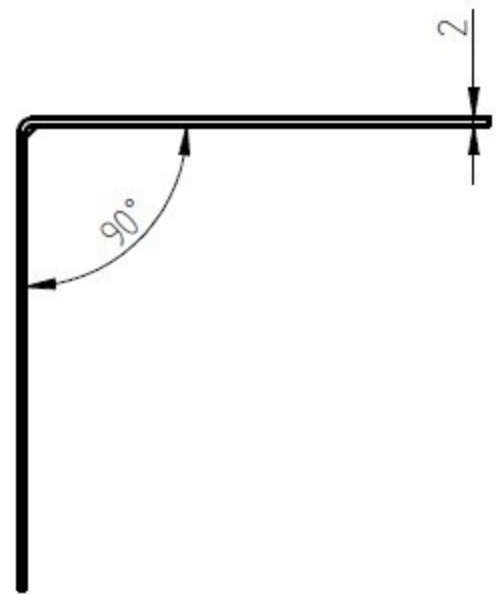
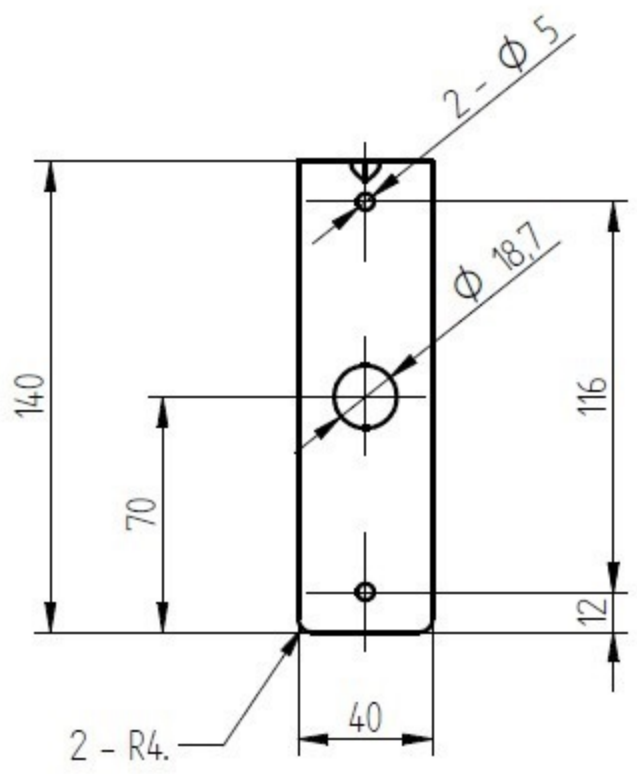
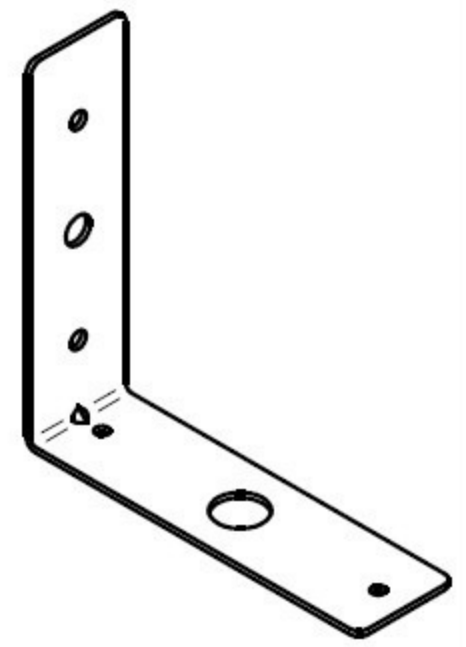
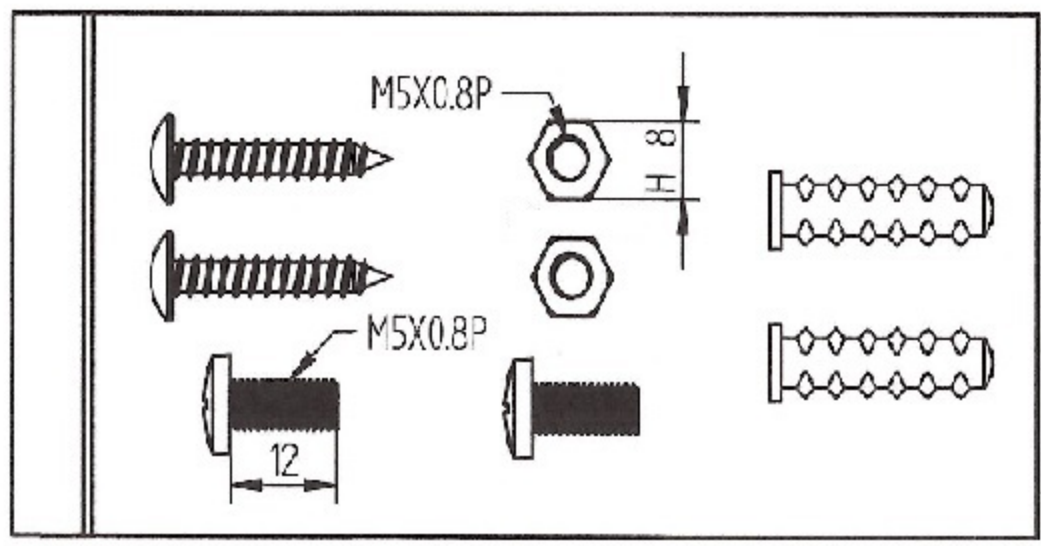
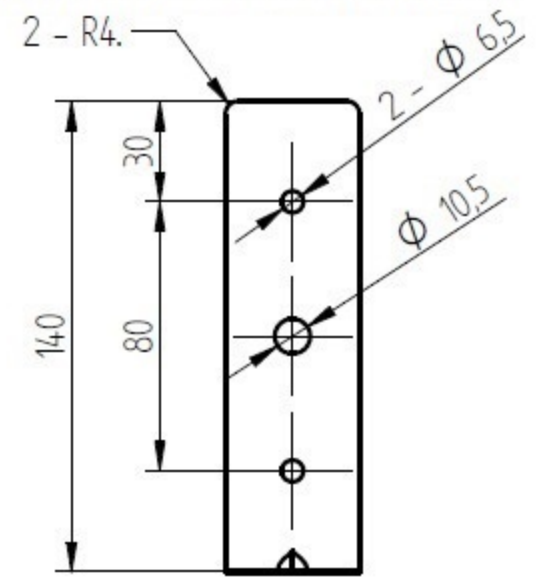


**Material: SUS 304**

(Passivation treatment & Polished finish)

**ROHS**

ISO 9001  
ISO 14001



Material: SUS304		Treatment:		<b>TRANSVOICE</b>			
Drawer	Design	Aprov	Tolerance	Unit: mm		TITLE	200-275
			X=±0.1	Ver: A	Scale 1:2,5	Model NO	<b>Mounting bracket</b>
			.X=±0.05	File NO: QR0402		Drawing NO	
			.XX=±0.02				

NO	DESCRIPTION	MATERIAL / FINISH	Q'TY
Part NO			